

GreenSmart Bypass & Diverter Valves



Specification Data Sheet

Product Overview

GreenSmart 2" - 4" PVC/CPVC Bypass/Diverter valves are third party tested and compliant to IAPMO Z1059, the applicable industry standard for these specialized valves. UPC/IPC Listed and compliant for Alternate Non-Potable Water Source uses, Rainwater, Greywater, Indirect & Special Wastes, and many other applications where automatic directional control, capture, separation, treatment is required.

All actuated diverters are equipped with Battery Backup Failsafe as standard equipment to limit overflow and flood exposure, designed with logic boards and position outputs for BMS, BACnet, control and communication

All Diverter Systems are special ordered to project specifications. Failsafe positions are preprogrammed at the factory per individual order.

PVC/CPVC Systems Selection

2" 3-Way Manual	PVC	GTKDTBV108
2" 3-Way Manual	CPVC	GTKDTBC108
2" 3-Way Actuated	PVC	GTKDTBV108-EL24VDCBA
2" 3-Way Actuated	CPVC	GTKDTBC108-EL24VDCBA
3" Manual Single	PVC	GVEEAV110
3" Manual Single	CPVC	GVXEAC110
3" Actuated Single	PVC	GVEEAV110-EL24VDCBA
3" Actuated Single	CPVC	GVXEAC110-EL24VDCBA
3" Actuated Double	PVC	GVEEAV110-EL24VDCBAx2
3" Actuated Double	CPVC	GVXEAC110-EL24VDCBAx2
4" Manual Single	PVC	GVEEAV111
4" Manual Single	CPVC	GVXEAC111
4" Actuated Single	PVC	GVEEAV111-EL24VDCBA
4" Actuated Single	CPVC	GVXEAC111-EL24VDCBA
4" Actuated Double	PVC	GVEEAV111-EL24VDCBAx2
4" Actuated Double	CPVC	GVXEAC111-EL24VDCBAx2



Valves and wyes shipped unassembled. Valves and actuators assembled together at the factory.

Standards



ASTM D1784
ASTM D2466
ASTM D2467
ASTM D2464
ASTM F1498
ASTM F439
ASTM F437



IAPMO ANSI CAN Z1059-2024



ANSI B1.20.1
ANSI B16.5



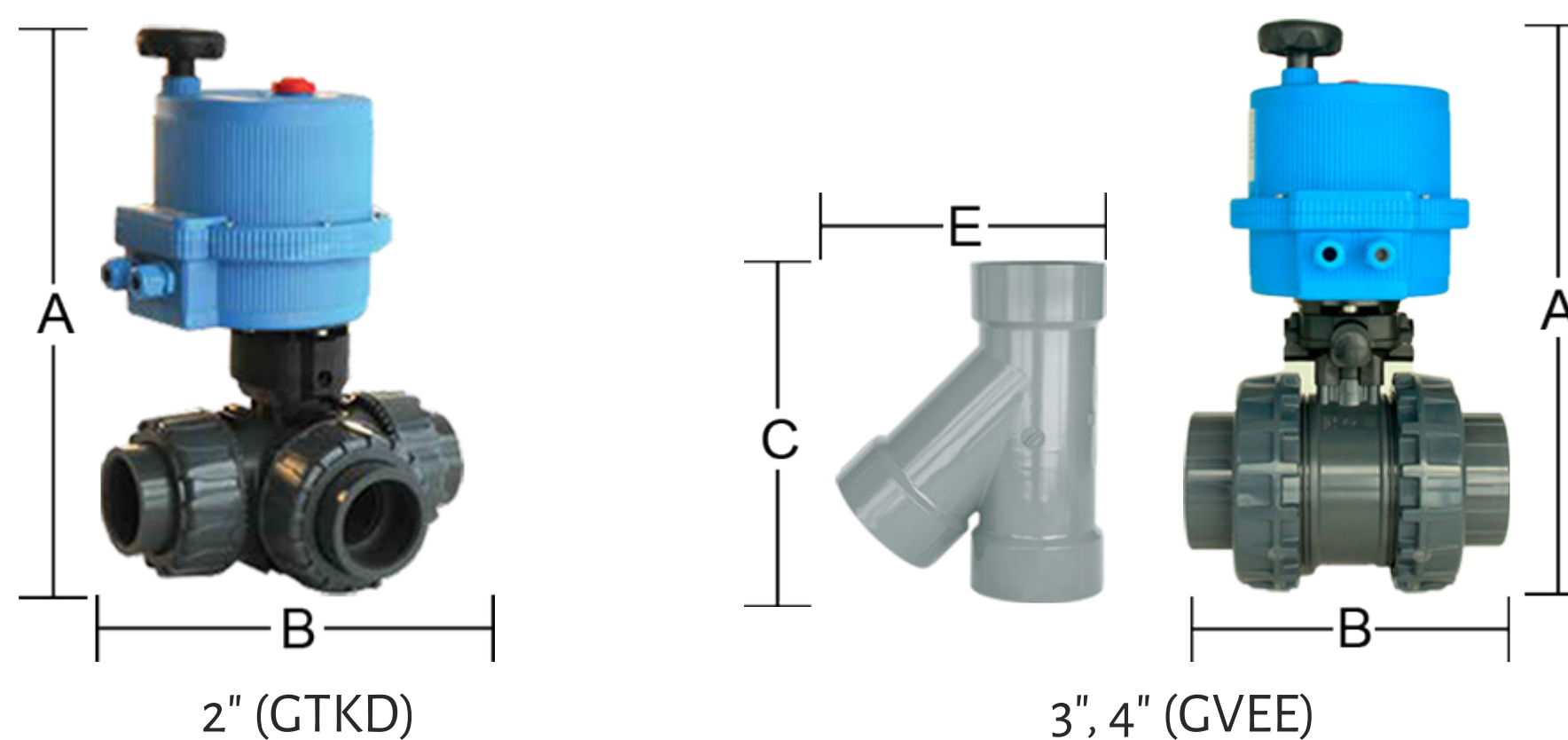
complies with IPC



2", 3", 4" Dimensions

Size	A	B	C	D	E
2" (GTKD)	18"	10"			
3" (GVEE)	20"	10"	10"	22"	8"
4" (GVEE)	21"	12"	10"	22"	8"

A Overall Height
B Valve Length
C Wye Length
D Overall Length (B+C)
E Width



Manufactured by IPEX



032825



For more information and pricing
562 364-7430

